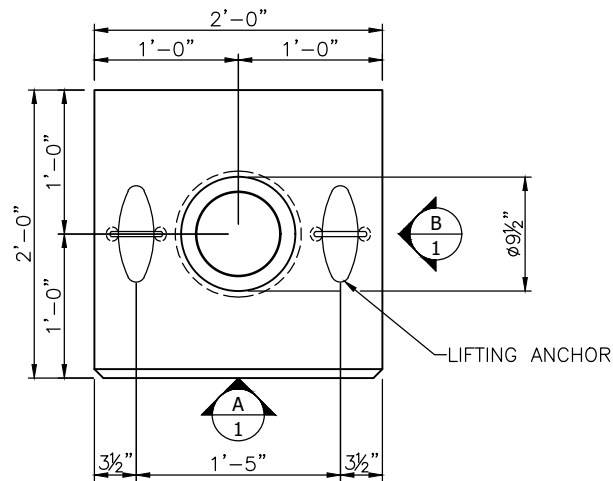
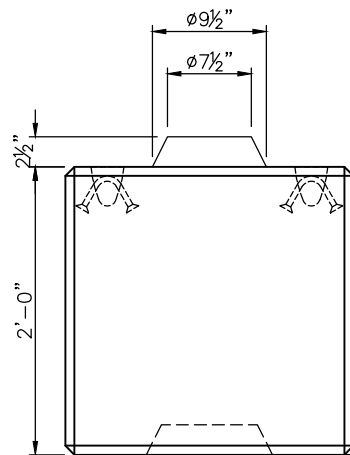


DESIGN NOTES

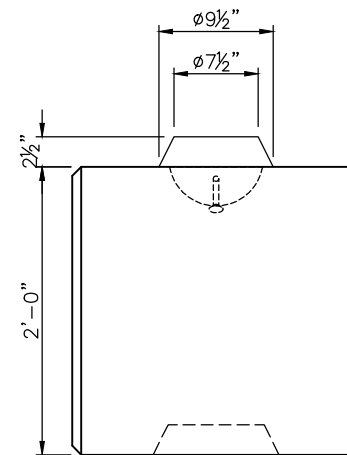
- 1) MIN. DESIGN CRITERIA IS AS NOTED UNLESS OTHERWISE SPECIFIED
- 2) CONCRETE 28 DAY COMPRESSIVE STRENGTH SHALL BE **4000** PSI (MIN.)
- 3) CEMENT: ASTM C-150 SPECIFICATIONS
- 4) $\frac{3}{4}$ " CHAMFER ON FRONT EDGE.



PLAN VIEW
SCALE: 3/4" = 1'-0"



VIEW A
SCALE: 3/4" = 1'-0"



VIEW B
SCALE: 3/4" = 1'-0"

PRODUCT WEIGHT

SECTION	WEIGHT (LBS)	VOLUME (CY)
BLOCK	1,185	0.29

CN-24"x24"x24" CONE-LOCK-BLOCK

SUBMITTAL DRAWING W/ REINFORCING

CUSTOMER
HYBRID BUILDING SOLUTIONS, LLC

DATE	DRAWN	ENGINEER	CHECKED	SHEET
8/6/24	MP	AB		
DRAWING NUMBER			REVISION	
CN-24x24x24 Block				1 OF 1

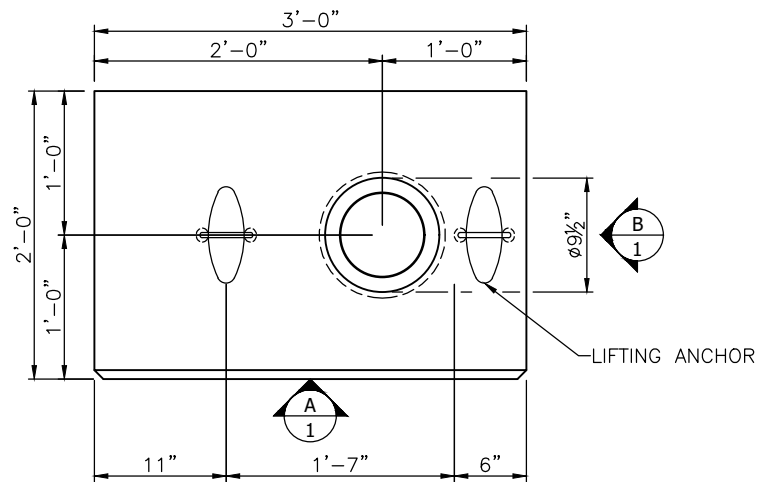


Burke Engineering
3145 Belay Pt. Castle Rock, CO 80108

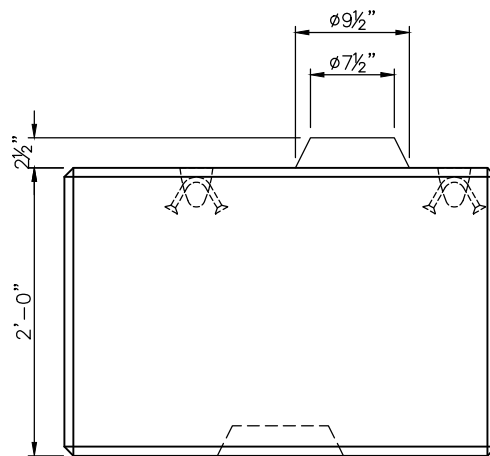
This document contains proprietary and confidential information that shall not be reproduced or divulged in whole or in part without written authorization from Burke Engineering. All rights reserved.

DESIGN NOTES

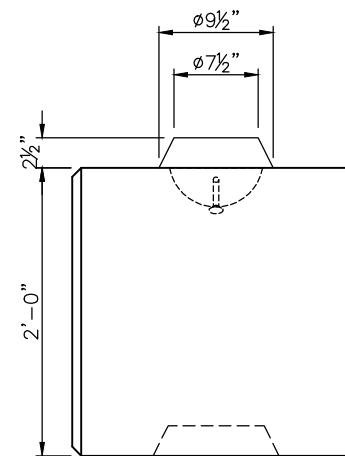
- 1) MIN. DESIGN CRITERIA IS AS NOTED UNLESS OTHERWISE SPECIFIED
- 2) CONCRETE 28 DAY COMPRESSIVE STRENGTH SHALL BE **4000** PSI (MIN.)
- 3) CEMENT: ASTM C-150 SPECIFICATIONS
- 4) $\frac{3}{4}$ " CHAMFER ON FRONT EDGE.



PLAN VIEW
SCALE: 3/4" = 1'-0"



VIEW A
SCALE: 3/4" = 1'-0"



VIEW B
SCALE: 3/4" = 1'-0"

PRODUCT WEIGHT

SECTION	WEIGHT (LBS)	VOLUME (CY)
BLOCK	1,777	0.44

CN-24"x24"x36" CONE-LOCK-BLOCK

SUBMITTAL DRAWING W/ REINFORCING

CUSTOMER
HYBRID BUILDING SOLUTIONS, LLC

DATE	DRAWN	ENGINEER	CHECKED	SHEET
8/6/24	MP	AB		
DRAWING NUMBER			REVISION	
CN-24x24x36 Block				1 OF 1

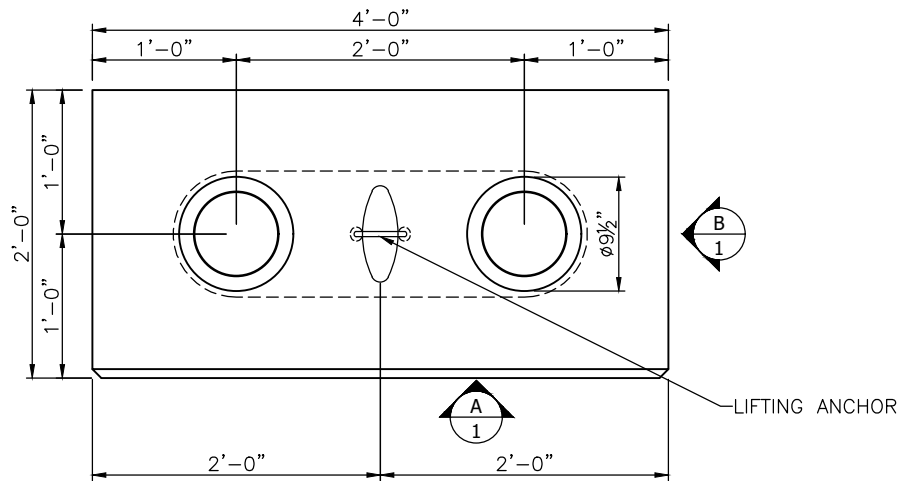


Burke Engineering
3145 Belay Pt. Castle Rock, CO 80108

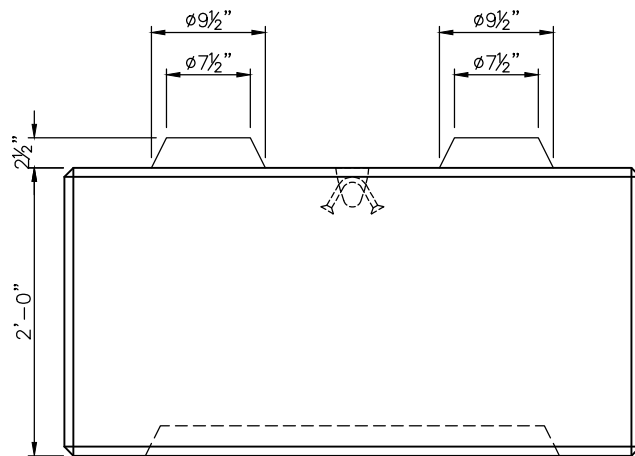
This document contains proprietary and confidential information that shall not be reproduced or divulged in whole or in part without written authorization from Burke Engineering. All rights reserved.

DESIGN NOTES

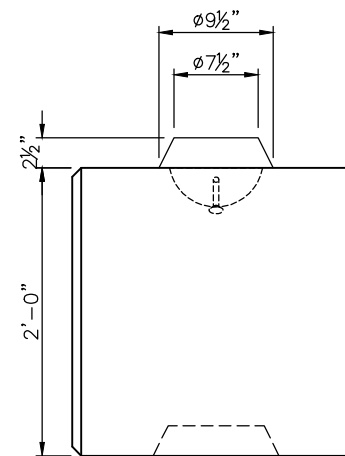
- 1) MIN. DESIGN CRITERIA IS AS NOTED UNLESS OTHERWISE SPECIFIED
- 2) CONCRETE 28 DAY COMPRESSIVE STRENGTH SHALL BE **4000** PSI (MIN.)
- 3) CEMENT: ASTM C-150 SPECIFICATIONS
- 4) $\frac{3}{4}$ " CHAMFER ON FRONT EDGE.



PLAN VIEW
SCALE: 3/4" = 1'-0"



VIEW A
SCALE: 3/4" = 1'-0"



VIEW B
SCALE: 3/4" = 1'-0"

PRODUCT WEIGHT

SECTION	WEIGHT (LBS)	VOLUME (CY)
BLOCK	2,370	0.59

CN-24"x24"x48" CONE-LOCK-BLOCK

SUBMITTAL DRAWING W/ REINFORCING

CUSTOMER
HYBRID BUILDING SOLUTIONS, LLC

DATE	DRAWN	ENGINEER	CHECKED	SHEET
8/21/24	MP	AB		
DRAWING NUMBER			REVISION	
CN-24x24x48 Block				1 OF 1

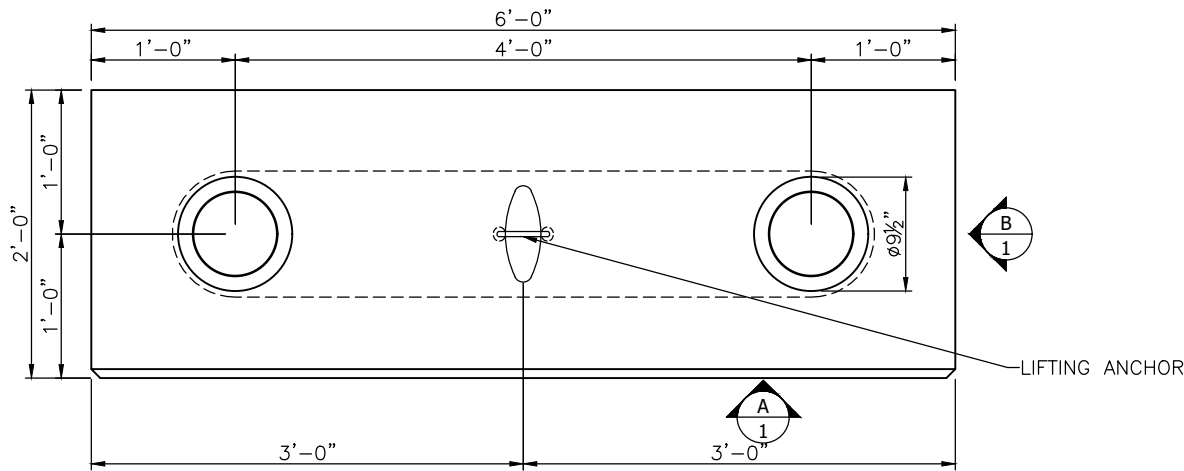


Burke Engineering
3145 Belay Pt. Castle Rock, CO 80108

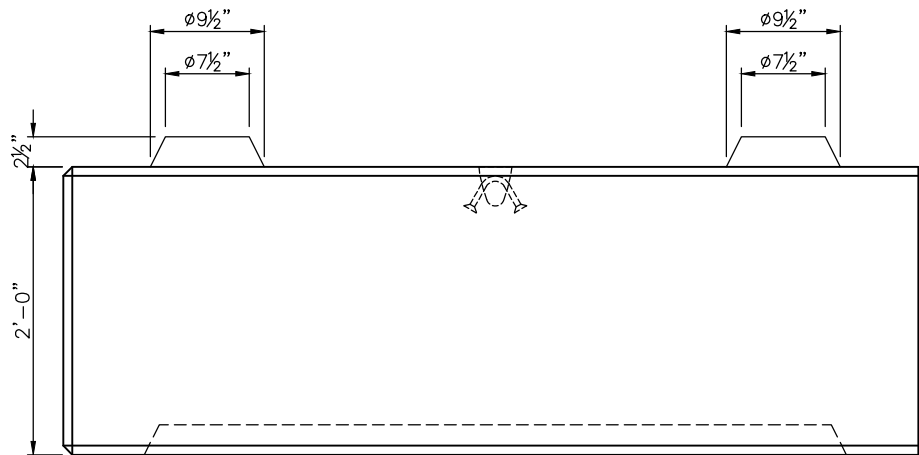
This document contains proprietary and confidential information that shall not be reproduced or divulged in whole or in part without written authorization from Burke Engineering. All rights reserved.

DESIGN NOTES

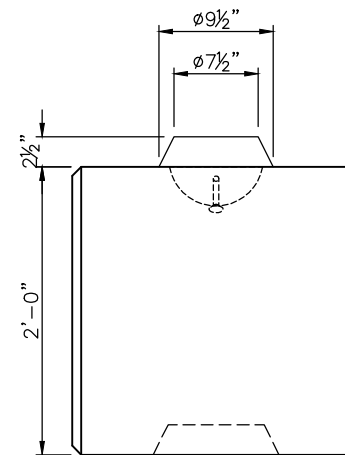
- 1) MIN. DESIGN CRITERIA IS AS NOTED UNLESS OTHERWISE SPECIFIED
- 2) CONCRETE 28 DAY COMPRESSIVE STRENGTH SHALL BE **4000** PSI (MIN.)
- 3) CEMENT: ASTM C-150 SPECIFICATIONS
- 4) $\frac{3}{4}$ " CHAMFER ON FRONT EDGE.



PLAN VIEW
SCALE: $\frac{3}{4}$ " = 1'-0"



VIEW A
SCALE: $\frac{3}{4}$ " = 1'-0"



VIEW B
SCALE: $\frac{3}{4}$ " = 1'-0"

PRODUCT WEIGHT

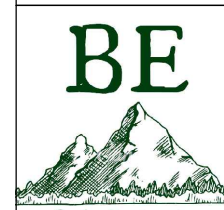
SECTION	WEIGHT (LBS)	VOLUME (CY)
BLOCK	3,555	0.88

CN-24"x24"x72" CONE-LOCK-BLOCK

SUBMITTAL DRAWING W/ REINFORCING

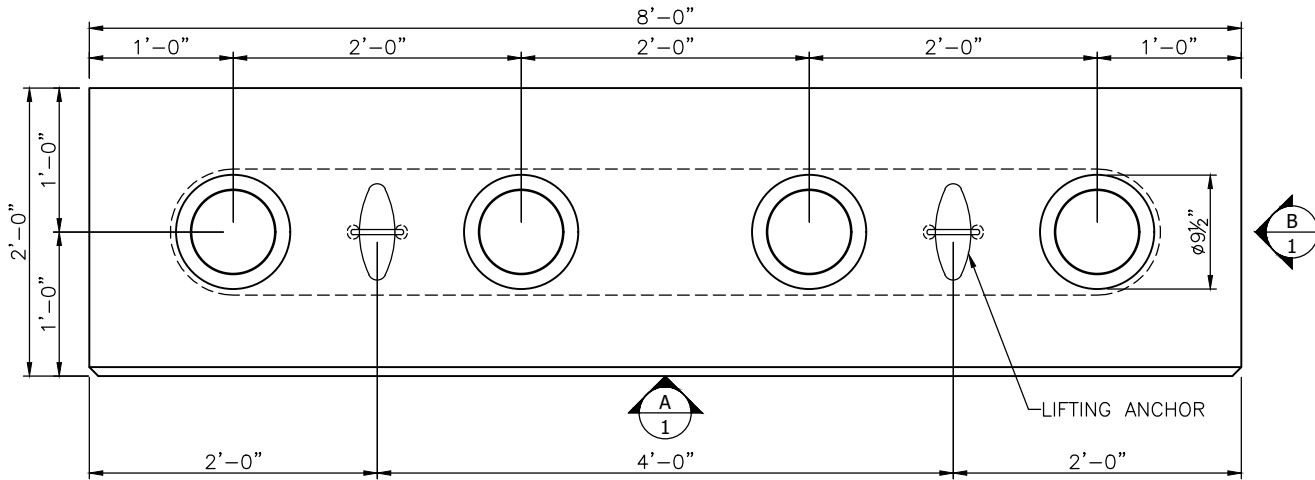
CUSTOMER
HYBRID BUILDING SOLUTIONS, LLC

DATE	DRAWN	ENGINEER	CHECKED	SHEET
8/6/24	MP	AB		
DRAWING NUMBER			REVISION	
CN-24x24x72 Block				1 OF 1

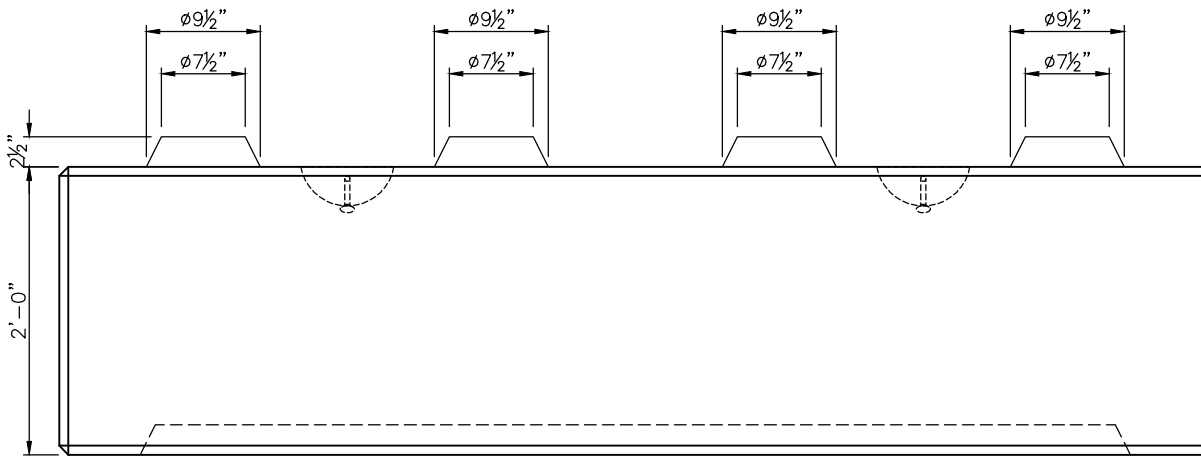


Burke Engineering
3145 Belay Pt. Castle Rock, CO 80108

This document contains proprietary and confidential information that shall not be reproduced or divulged in whole or in part without written authorization from Burke Engineering. All rights reserved.

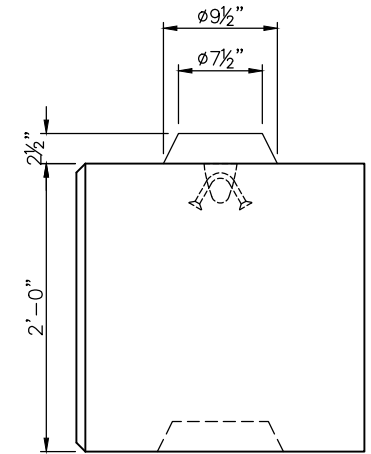


PLAN VIEW
SCALE: 3/4" = 1'-0"



VIEW A
SCALE: 3/4" = 1'-0"

- ### DESIGN NOTES
- 1) MIN. DESIGN CRITERIA IS AS NOTED UNLESS OTHERWISE SPECIFIED
 - 2) CONCRETE 28 DAY COMPRESSIVE STRENGTH SHALL BE **4000** PSI (MIN.)
 - 3) CEMENT: ASTM C-150 SPECIFICATIONS
 - 4) 3/4" CHAMFER ON FRONT EDGE.



VIEW B
SCALE: 3/4" = 1'-0"

PRODUCT WEIGHT		
SECTION	WEIGHT (LBS)	VOLUME (CY)
BLOCK	4,740	1.17

CN-24"x24"x96" CONE-LOCK-BLOCK

SUBMITTAL DRAWING W/ REINFORCING

CUSTOMER
HYBRID BUILDING SOLUTIONS, LLC

DATE	DRAWN	ENGINEER	CHECKED	SHEET
8/6/24	MP	AB		

DRAWING NUMBER	REVISION	
CN-24x24x96 Block		1 OF 1

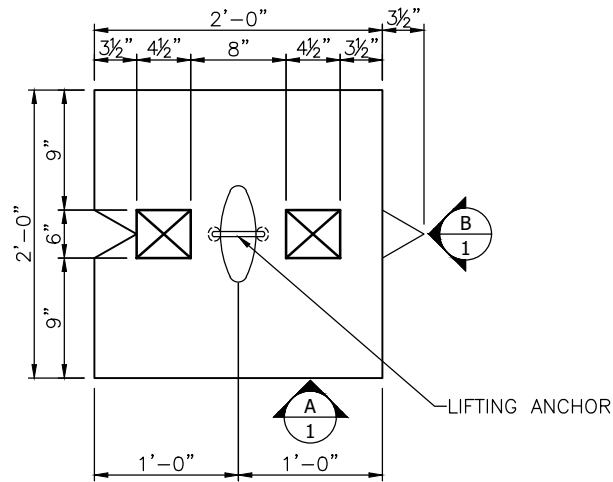
BE

Burke Engineering
3145 Belay Pt. Castle Rock, CO 80108

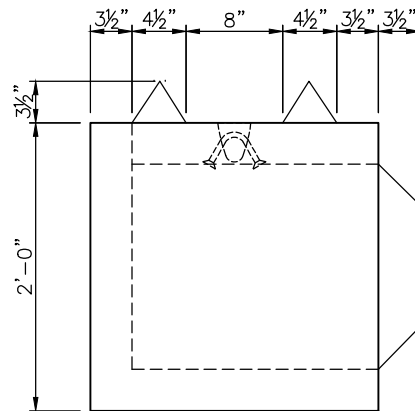
This document contains proprietary and confidential information that shall not be reproduced or divulged in whole or in part without written authorization from Burke Engineering. All rights reserved.

DESIGN NOTES

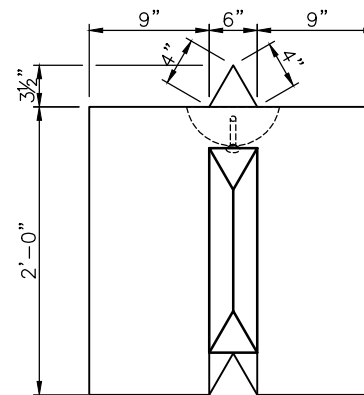
- 1) MIN. DESIGN CRITERIA IS AS NOTED UNLESS OTHERWISE SPECIFIED
- 2) CONCRETE 28 DAY COMPRESSIVE STRENGTH SHALL BE **4000** PSI (MIN.)
- 3) CEMENT: ASTM C-150 SPECIFICATIONS



PLAN VIEW
SCALE: 3/4" = 1'-0"



VIEW A
SCALE: 3/4" = 1'-0"



VIEW B
SCALE: 3/4" = 1'-0"

PRODUCT WEIGHT

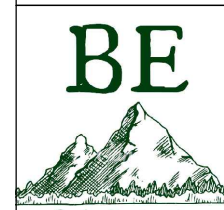
SECTION	WEIGHT (LBS)	VOLUME (CY)
BLOCK	1,185	0.29

VN-24"x24"x24" V-LOCK-BLOCK

SUBMITTAL DRAWING W/ REINFORCING

CUSTOMER
HYBRID BUILDING SOLUTIONS, LLC

DATE	DRAWN	ENGINEER	CHECKED	SHEET
8/9/24	MP	AB		
DRAWING NUMBER			REVISION	
VN-24x24x24 Block				1 OF 1

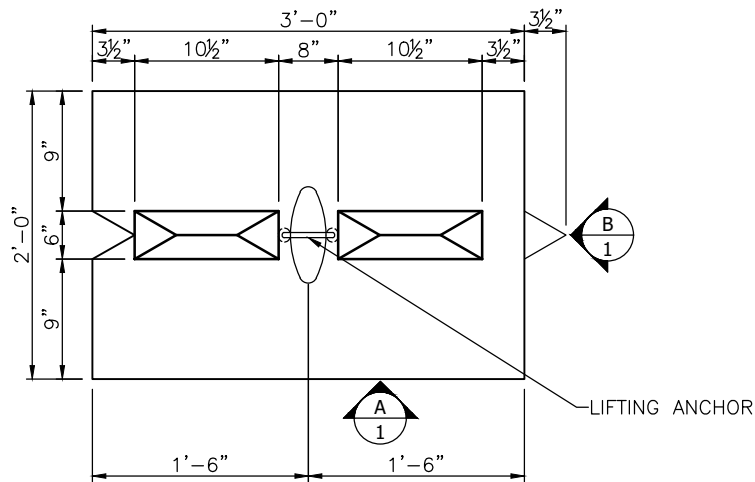


Burke Engineering
3145 Belay Pt. Castle Rock, CO 80108

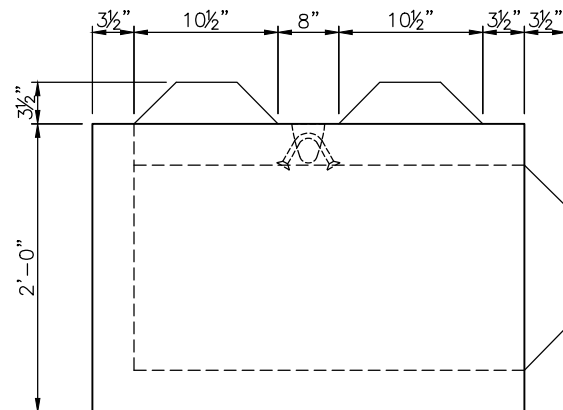
This document contains proprietary and confidential information that shall not be reproduced or divulged in whole or in part without written authorization from Burke Engineering. All rights reserved.

DESIGN NOTES

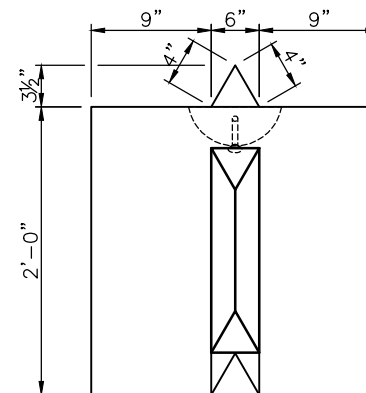
- 1) MIN. DESIGN CRITERIA IS AS NOTED UNLESS OTHERWISE SPECIFIED
- 2) CONCRETE 28 DAY COMPRESSIVE STRENGTH SHALL BE **4000** PSI (MIN.)
- 3) CEMENT: ASTM C-150 SPECIFICATIONS



PLAN VIEW
SCALE: 3/4" = 1'-0"



VIEW A
SCALE: 3/4" = 1'-0"



VIEW B
SCALE: 3/4" = 1'-0"

PRODUCT WEIGHT

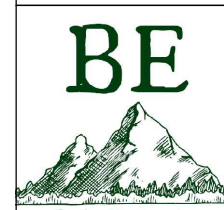
SECTION	WEIGHT (LBS)	VOLUME (CY)
BLOCK	1,777	0.44

VN-24"x24"x36" V-LOCK-BLOCK

SUBMITTAL DRAWING W/ REINFORCING

CUSTOMER
HYBRID BUILDING SOLUTIONS, LLC

DATE	DRAWN	ENGINEER	CHECKED	SHEET
8/9/24	MP	AB		
DRAWING NUMBER			REVISION	
VN-24x24x36 Block				1 OF 1

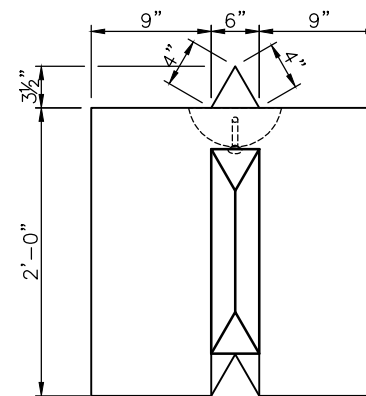
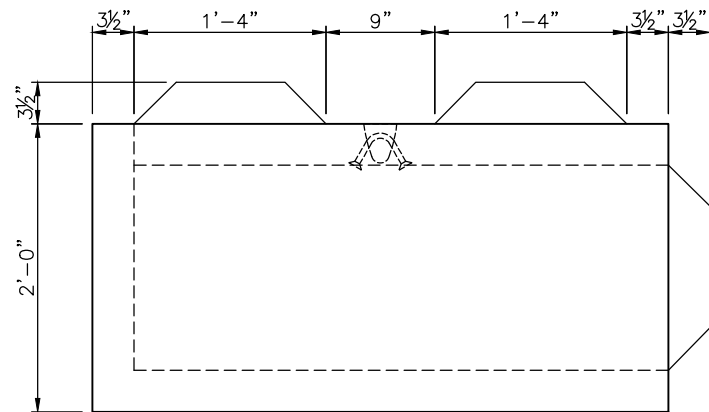
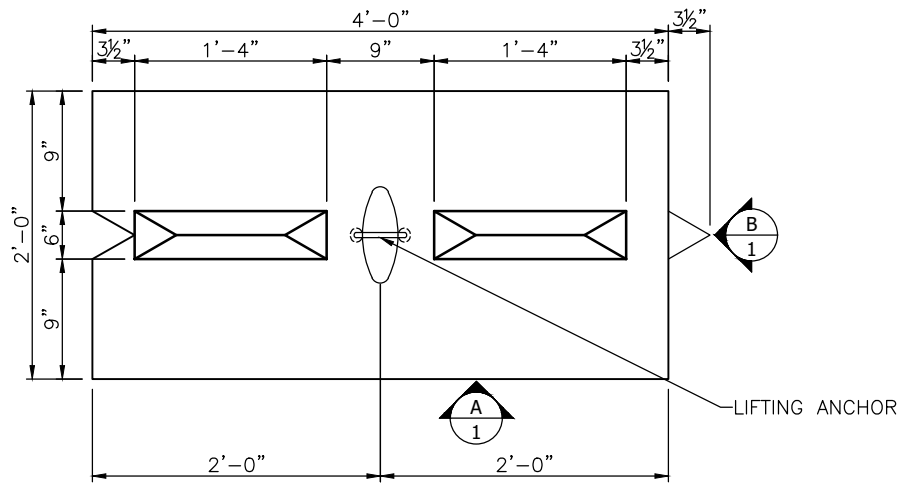


Burke Engineering
3145 Belay Pt. Castle Rock, CO 80108

This document contains proprietary and confidential information that shall not be reproduced or divulged in whole or in part without written authorization from Burke Engineering. All rights reserved.

DESIGN NOTES

- 1) MIN. DESIGN CRITERIA IS AS NOTED UNLESS OTHERWISE SPECIFIED
- 2) CONCRETE 28 DAY COMPRESSIVE STRENGTH SHALL BE **4000** PSI (MIN.)
- 3) CEMENT: ASTM C-150 SPECIFICATIONS



PRODUCT WEIGHT

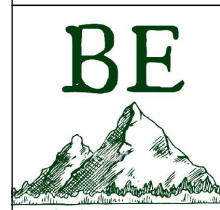
SECTION	WEIGHT (LBS)	VOLUME (CY)
BLOCK	2,400	0.59

VN-24"x24"x48" V-LOCK-BLOCK

SUBMITTAL DRAWING W/ REINFORCING

CUSTOMER
HYBRID BUILDING SOLUTIONS, LLC

DATE	DRAWN	ENGINEER	CHECKED	SHEET
8/9/24	MP	AB		
DRAWING NUMBER			REVISION	
VN-24x24x48 Block				1 OF 1

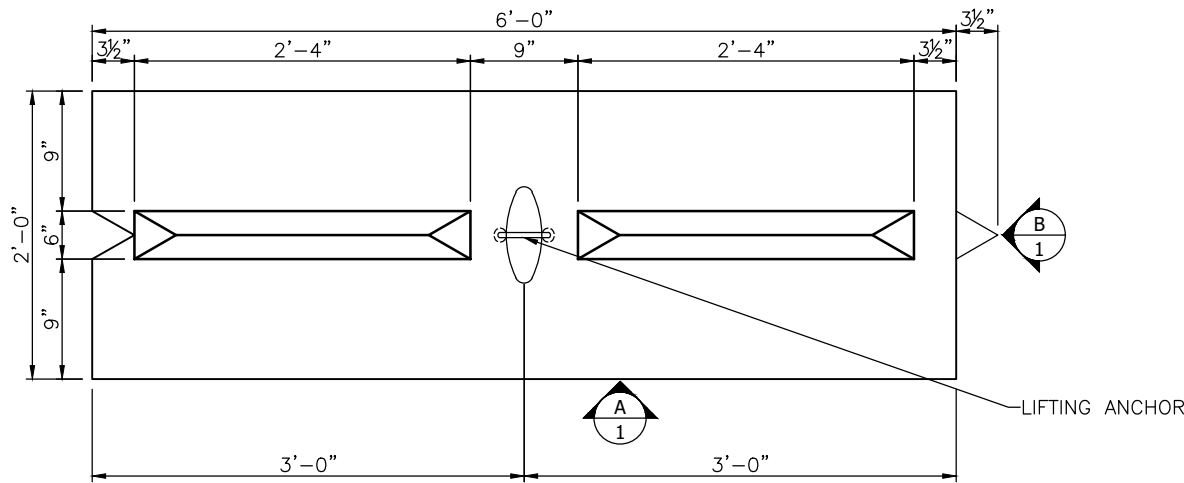


Burke Engineering
3145 Belay Pt. Castle Rock, CO 80108

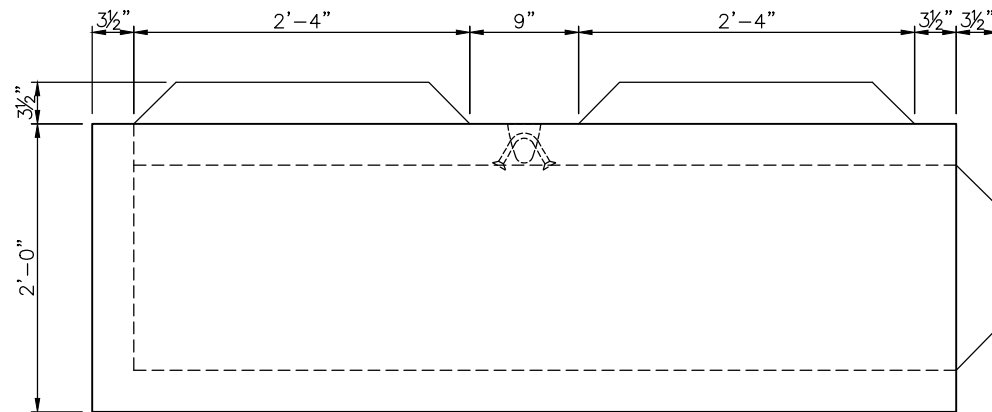
This document contains proprietary and confidential information that shall not be reproduced or divulged in whole or in part without written authorization from Burke Engineering. All rights reserved.

DESIGN NOTES

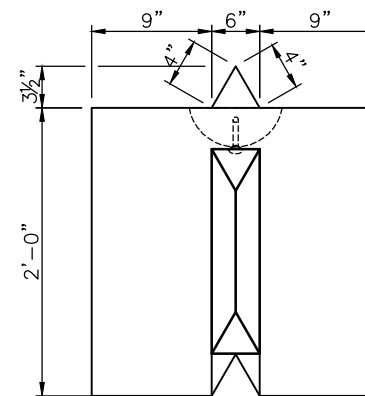
- 1) MIN. DESIGN CRITERIA IS AS NOTED UNLESS OTHERWISE SPECIFIED
- 2) CONCRETE 28 DAY COMPRESSIVE STRENGTH SHALL BE **4000** PSI (MIN.)
- 3) CEMENT: ASTM C-150 SPECIFICATIONS



PLAN VIEW
SCALE: 3/4" = 1'-0"



VIEW A
SCALE: 3/4" = 1'-0"



VIEW B
SCALE: 3/4" = 1'-0"

PRODUCT WEIGHT

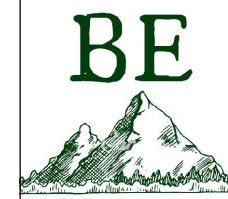
SECTION	WEIGHT (LBS)	VOLUME (CY)
BLOCK	3,555	0.88

VN-24"x24"x72" V-LOCK-BLOCK

SUBMITTAL DRAWING W/ REINFORCING

CUSTOMER
HYBRID BUILDING SOLUTIONS, LLC

DATE	DRAWN	ENGINEER	CHECKED	SHEET
8/9/24	MP	AB		
DRAWING NUMBER			REVISION	
VN-24x24x72 Block				1 OF 1



Burke Engineering
3145 Belay Pt. Castle Rock, CO 80108

This document contains proprietary and confidential information that shall not be reproduced or divulged in whole or in part without written authorization from Burke Engineering. All rights reserved.